

# EIDIS REFRIGERATION

## PACKAGED REFRIGERATION UNITS

*Outstanding Quality and Reliability.*

*Built in Australia to perform in Australian conditions.*



TECHNICAL DATA

## ■ EIDIS Packaged Refrigeration Units

---



*EIDIS Drop-In Refrigeration Units*

*EIDIS Slide-In Packaged Unit*

*EIDIS Low-Profile Packaged Unit*

*EIDIS Push-In Packaged Unit*

**EIDIS** manufactures and supplies residential and commercial refrigeration units for the Australian market.

**EIDIS Refrigeration Systems** manufacture refrigeration systems for cool rooms and freezer rooms, keeping goods perennially cool regardless of the temperature and conditions outside.

Established in 1987, our many years of experience have helped establish ourselves as market leaders in the industry. The team is comprised of manufacturing experts and refrigeration specialists, who have many years of experience. The predominantly packaged refrigeration units come in drop-in and slide-in formats, as well as split systems in condensing units and evaporator units with all spare parts readily available.

We also specialise in manufacturing systems specifically tailored to clients' requests. Not only do we manufacture full units but are able to replace spare parts such as compressors, evaporators, condensers, fans, TX (thermal expansion) valves, driers and sight glasses.

At **EIDIS**, the company philosophy is based on client satisfaction. We believe the customers are the driving force behind our success and work toward continual improvement in the construction of new products and service efficiency.

We also believe strongly in innovation and are constantly working on improving the current units while also designing new products that are the best in the industry.

We pride ourselves on the simplicity of design facilitation and on-site service, particularly in Australia's remote locations. The consultants are always happy to assess and give advice on any refrigeration problems, providing all the technical information clients need to make an informed decision.

**EIDIS Refrigeration Systems** will go the extra mile for their clients. Any unit can be delivered anywhere in Australia and with stockists located all over Australia, you save on delivery costs.

## ■ Features & Benefits of Our Units

---

*Outstanding Quality and Reliability.*

*Built in Australia to perform in Australian conditions.*

- Both heat exchange coils use rifle bore tubing
- Accurate metal pressing by C.N.C Turret
- Compact construction minimising freight cost
- Bench tested before packaging
- Each system has an installation instruction sheet, a unit to coldroom sealing strip, electronic componentry usage instructions where required and a drawing showing cut out dimensions and positioning
- Continual improvement in construction and efficiency
- Use of proven componentry and controls from the world's leading manufacturers - readily available off the shelf components
- Simplicity of design facilitating on-site service, particularly in remote locations
- Easy installation
- No skilled personnel needed on site
- Just place in a prepared hole
- Covers available for all models on request
- Special units to customer requirements
- Standard power requirement 220/240 volt 50/HZ
- Units are provided with 3m electrical cable and 3 pin plug
- Reliable, safe operation
- Controls of appropriate design, mechanical thermostats unaffected by voltage spikes
- Drop-In and Slide-In models have cross ambient temperature controls factory set 2°C room temperature
- Dual pressure control with auto reset on high cut out to protect against condenser airflow restriction
- Optional electronic digital controls can be supplied
- Vibration free balanced external rotor fans
- Baseplate powder coated
- Moulded white a.b.s insulated inner panel
- Evaporator casing, white powder coated aluminium
- Units are ready to install straight from the box, no technician necessary



## Eliwell Control Option

All models now supplied with an Eliwell control option.

- Clear display with large digits and coloured icons
- **EASY TO USE**
- Everything is under control thanks to the large digit display and coloured status icons
- Dedicated push buttons provide direct access to the main functions



by **Schneider** Electric

### TECHNICAL INFO

NTC Probes

Power Supply: 230V 50/60 Hz

Isolated 32A solid state relay for control protection and long life

Made in Italy

Fridge Bot Option - Each Frigbot cellular wireless device connects your EIDIS refrigeration equipment to the Frigbot cloud with access to all functions over the Internet from your computer, tablet or smartphone.

- Manufacturer Instruction Sheet available here  
<http://www.eliwell.it/WorkArea/DownloadAsset.aspx?id=41066>
- Manufacturer Data Sheet available here  
<http://www.eliwell.it/WorkArea/DownloadAsset.aspx?id=25105>
- EIDIS Quick User Instructions  
[www.eidis.com.au/admin/resources/eliwell-idplus-customer-instructions.pdf](http://www.eidis.com.au/admin/resources/eliwell-idplus-customer-instructions.pdf)
- EIDIS Factory Settings available on request

## EIDIS Packaged Refrigeration Unit – Model Information

# 68/4 DI E R

68/4 DI E R	<b>Remote</b> R = Remote lead for digital thermostat
	<b>Thermostat Type</b> E = Digital Blank = Mechanical
	<b>Unit Type</b> DI = Standard Drop-In LP = Low-Profile SI = Slide-In LT = Low Temp WU = Wine Unit
	<b>Refrigerant Type</b> 2 = R22 4 = R404a
	<b>Unit Capacity</b>

### Options List

- 3.5m Remote Lead for Digital Eliwell Control
- Fridge bot
- Condensate Pan
- External Weather Covers

## Medium Temperature

### EIDIS Drop-In & Slide-In Packaged Refrigeration Units

Model No.	Compressor		Watts Capacity @ +2°C Room Temp.	Evap. KTD	Grams
	Model	Nominal HP			R404a Charge
66/4	6215GK	1/2	1300	5	700
68/4	6226GK	1+	1940	6.8	700
88/4	9232GK	1-1/4	2280	7	800
1212/4	9238GK	1-1/2	3220	6	1550
2012/4	MTZ28	2-1/4	4200	5	3000

### EIDIS Low-Profile Packaged Refrigeration Units

Model No.	Compressor		Watts Capacity @ +2°C Room Temp.	Evap. KTD	Grams
	Model	Nominal HP			R404a Charge
64/4	6210GK	3/8	975	6.5	445
66/4	6215GK	1/2	1300	5	700
67/4	6222GK	1	1600	6	850
68/4	6226GK	1+	1940	6.8	700
88/4	9232GK	1-1/4	2280	7	800

### EIDIS Push-In Packaged Refrigeration Units

Model No.	Compressor		Watts Capacity @ +2°C Room Temp.	Evap. KTD	Grams
	Model	Nominal HP			R404a Charge
66/4	6215GK	1/2	1300	5	700
68/4	6226GK	1+	1940	6.8	700
88/4	9232GK	1-1/4	2280	7	800

Notes – applies to Medium Temperature ONLY

- The manufacturer reserves the right to change specifications as necessary without notice.
- The M/T range packaged units are designed to operate within an ambient temperature range of +10°C to +45°C and a room temperature range of 0°C to +15°C.

## Low Temperature

Model No.	Compressor		Watts Capacity @ -18°C Room Temp.	Evap. KTD	Grams
	Model	Nominal HP			R404a Charge
1300/4 LT	2192GK	1-1/4	1250	8	900
2500/4 LT	NTZ068-5VI	2 1/2	2500	8	1500
1300/4 LT Low Profile	2192GK	1-1/4	1250	8	840

Notes – applies to Low Temperature ONLY

- The manufacturer reserves the right to change specifications as necessary without notice.
- The L/T range packaged units are designed to operate within an ambient temperature range of +10°C to +45°C and a room temperature range of -20°C to -5°C.

## Ice Box Refrigeration

Model No.	Compressor		Watts Capacity @ -12°C Room Temp.	Evap. KTD	Grams
	Model	Nominal HP			R404a Charge
1500 IBU	2192GK	1-1/4	1500	6	1200
1900 IBU	2212GK	1-1/2	1900	6	1200

Notes – applies to Ice Box Refrigeration ONLY

- The manufacturer reserves the right to change specifications as necessary without notice.
- The L/T range packaged units are designed to operate within an ambient temperature range of +10°C to +40°C and a room temperature range of -12°C to -5°C.

Model No.	Compressor			Condenser Fan Qty x Fan Dia	Evaporator Fan		Standard Evap Unit	
	Model	Amps			Standard Qty x Fan Dia	Low-Profile Qty x Fan Dia	Amps	
		RLA*	LRA	RLA*			MRA*	
64/4	6210GK	3.23	19.00	1 x 254mm	N/A	2 x 178	3.95	4.11
66/4	6215GK	3.78	22.00	1 x 275mm	1 x 300mm		4.65	4.94
67/4	6222GK	4.95	37.00	1 x 300mm	N/A	3 x 178	6.02	6.33
68/4	6226GK	5.09	27.50				5.95	6.44
88/4	9232GK	5.12	43.00		1 x 300mm		6.00	7.84
1212/4	9238GK	8.10	43.00	1 x 350mm	1 x 350mm	N/A	9.50	10.76
2012/4	MTZ28	10.69	58.00	1 x 350mm	2 x 300mm		12.25	13.45

### Notes

- The manufacturer reserves the right to change specifications as necessary without notice.
- \* - Unit and Compressor RLA data are taken at +2°C room temp, +32°C ambient condition. (+/- 5%)
- \* - Unit MRA data are based on compressor MRA + fan RLA. (+/- 5%)

Model No.	Compressor			Condenser Fan Qty x Fan Dia	Evaporator Fan Qty x Fan Dia	Defrost		Unit	
	Model	Amps				Type	Amps	Amps	
		RLA*	LRA	RLA*	MRA*				
1300/4 LT	2192GK	3.71	26	1 x 300	1 x 300	Hot Gas	N/A	4.14	4.60
2500/4 LT	NTZ068	10.30	53	1 x 350		Electric	11.0	11.43	14.00
1300/4 LT LP	2192GK	3.71	26	1 x 300	3 x 178	Electric	3.3	4.78	5.40
1500 IBU	2192GK	4.27	26		1 x 200	Electric	8.0	4.49	4.95
1900 IBU	2212GK	7.10	36		Electric	8.0	7.77	8.20	

### Notes

- The manufacturer reserves the right to change specifications as necessary without notice.
- \* - Unit and Compressor RLA data are taken at -18°C room temp, +32°C ambient condition. (+/- 5%)
- \* - Unit MRA data are based on compressor MRA + fan RLA. (+/- 5%)

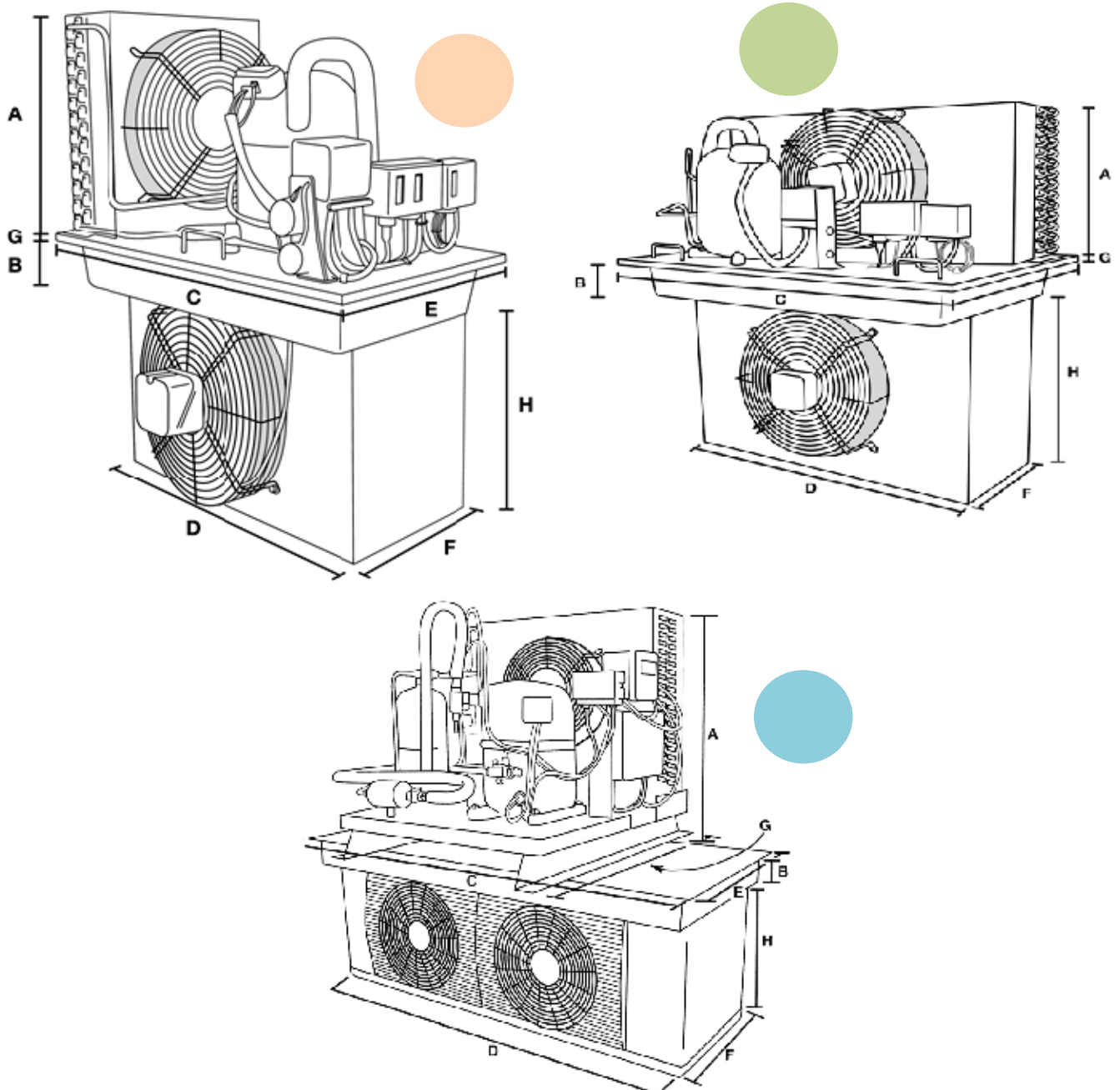


## Medium Temperature & Low Temperature

EIDIS Drop-In Packaged Refrigeration Units

Model No.	Packaged Dimensions			Weight kg	Unit Dimensions							
	L	W	H		A	B	C	D	E	F	G	H
64/4	720	460	990	52	310	80	685	605	400	230	16	370
68/4			1060	61	380							
88/4			1150	67								
1300 LT			1150	67								
1212/4	970	680	1120	120	375	80	890	762	590	298	16	450
2500 LT			1210	170								
2012/4	1440	920	1370	180	670	80	1285	1215	545	450	820	435

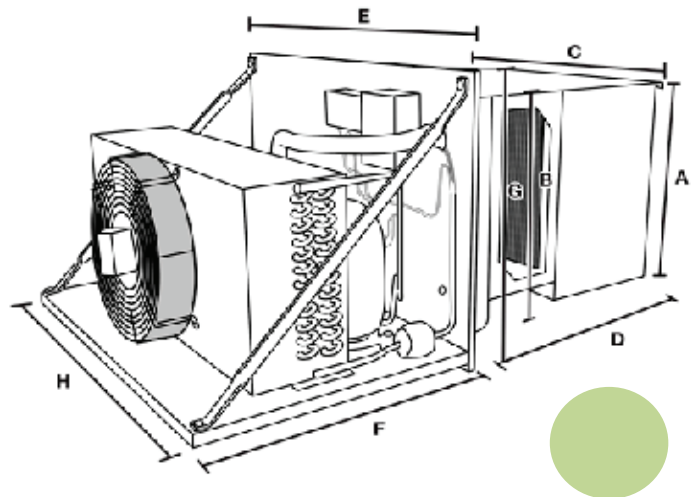
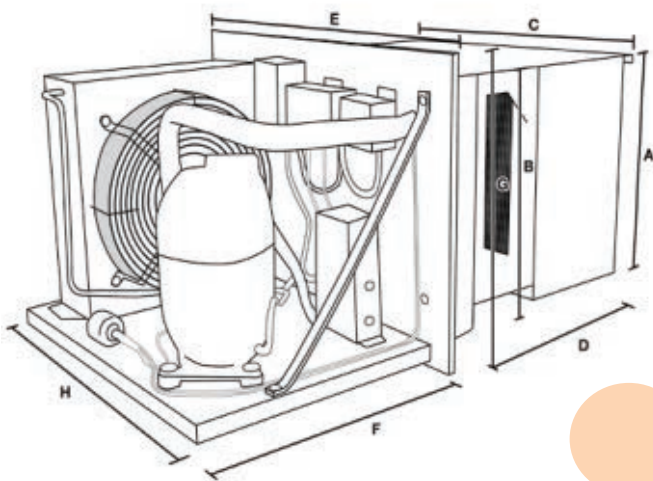
- Notes
- The manufacturer reserves the right to change specifications as necessary without notice.
  - LT = Low Temperature



## EIDIS Slide-In Packaged Refrigeration Units

Model No.	Packaged Dimensions			Weight kg	Unit Dimensions							
	L	W	H		A	B	C	D	E	F	G	H
66/4	1070	700	510	58	370	390	605	385	690	430	460	600
68/4				67								
88/4				71								
1300 LT				475								
1212/4	1320	900	600	120	450	480	760	493	890	590	590	890
2500 LT	1410							810				

- Notes
- The manufacturer reserves the right to change specifications as necessary without notice.
  - LT = Low Temperature



## EIDIS Low-Profile Packaged Refrigeration Units

Model No.	Packaged Dimensions			Weight kg	Unit Dimensions							
	L	W	H		A	B	C	D	E	F	G	H
64/4	900	500	800	40	75	140	395	470	770	705	16	280
66/4				46								
68/4				47								
88/4				49								
1300 LT				80								

- Notes
- The manufacturer reserves the right to change specifications as necessary without notice.
  - LT = Low Temperature

